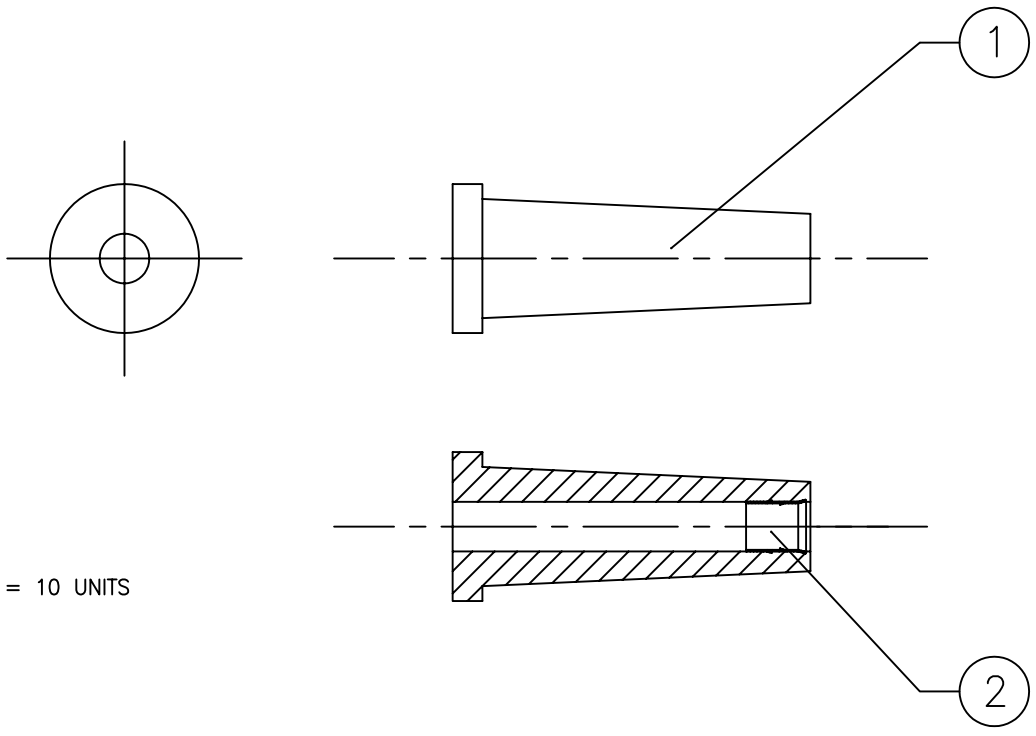


USED ON:



NOTE:  
STANDARD PACK SIZE = 10 UNITS

ITEM	DESCRIPTION	No.OFF
1	STRAIN RELEIF GLAND - PVC BLACK	1
2	TUBE GRIPPER CLIP - STAINLESS STEEL	1

DO NOT SCALE

C.A.D DO NOT AMEND  
SALES DRAWING

TITLE STRAIN RELEIF GLAND ASSEMBLY		MATERIAL ----	THIRD ANGLE PROJECTION 
<small>COPYRIGHT NOTE</small> <small>This document /drawing is protected under copyright and is the property of Miniflex. It may only be used for the specific purpose for which it has been supplied and held in safe custody. It may not be published, disclosed to a third party or used in any other way without the prior permission in writing from Miniflex Ltd. It remains our property and must be returned to us on request.</small>	 <small>ALL MINIFLEX PRODUCTS ARE PROTECTED BY LAW UNDER THE APPROPRIATE INTELLECTUAL PROPERTY LEGISLATION</small>	FINISH ----	<small>UNTOLERANCED DIMENSIONS:</small> <small>WITHOUT DEC. POINT</small> <small>ONE DEC. PLACE</small> <small>TWO DEC. PLACES</small> <small>ANGULAR</small>
		<small>ALL DIMENSIONS IN MILLIMETRES</small> <small>© COPYRIGHT 1996</small>	<small>DRAWN STB</small> <small>SCALE: NTS</small> <small>CHECKED</small> <small>DRG. No.</small> <small>DATE 29.07.96</small> <small>× 1 4 1 3 1</small> <small>APPROVED PDJ</small>
			<small>B 13.09.96 MATERIAL SPEC ADDED</small> <small>A 29.07.96 FIRST ISSUE</small> <small>ISSUE DATE CHANGE</small>